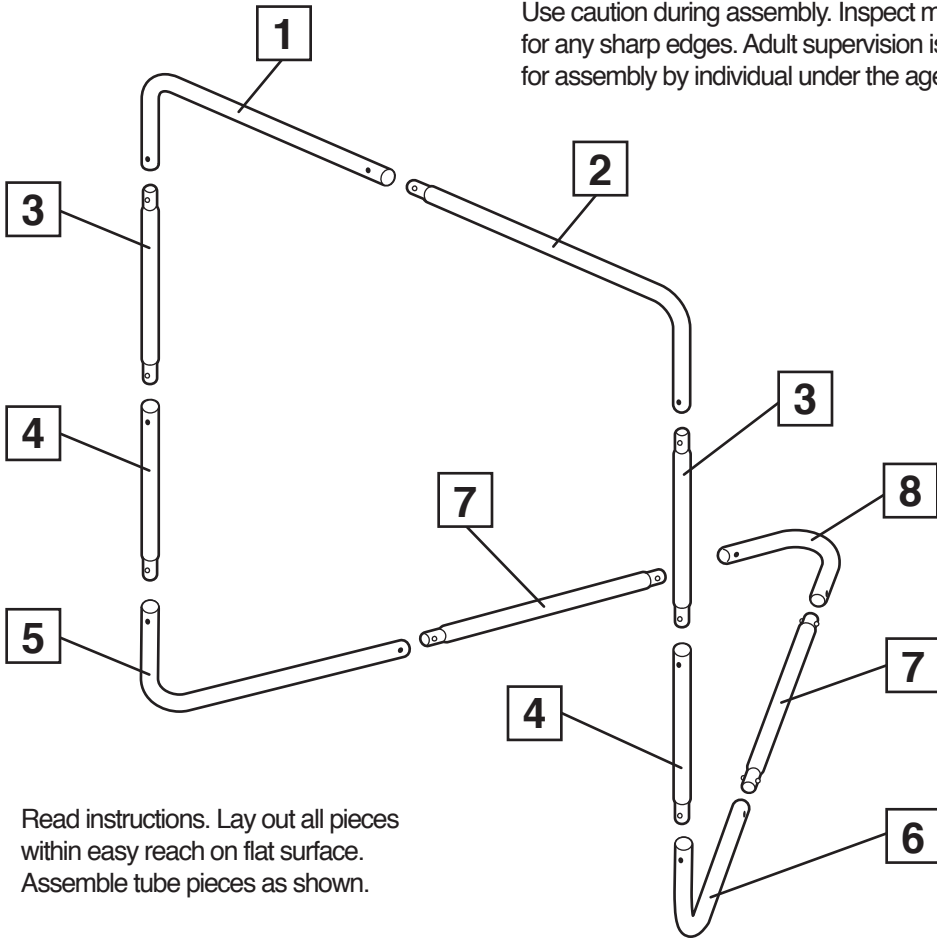


Lacrosse Goal Assembly Instructions


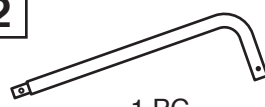
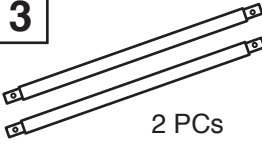
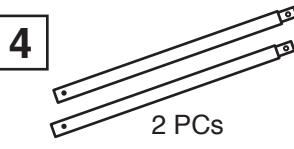
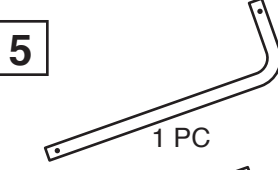
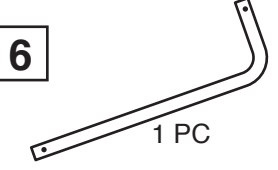
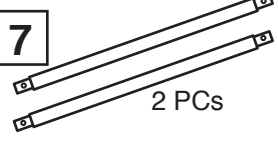
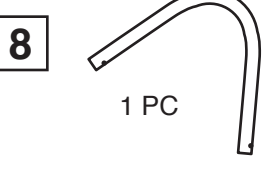

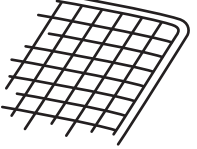
Warning:

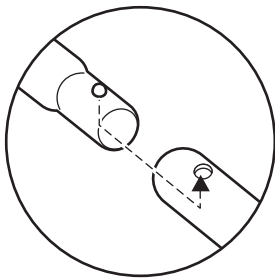
Use caution during assembly. Inspect materials for any sharp edges. Adult supervision is required for assembly by individual under the age of 18.



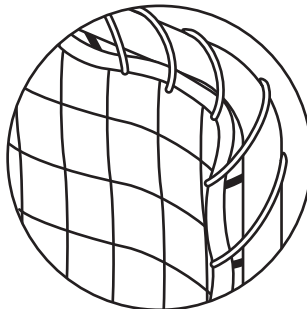
Read instructions. Lay out all pieces within easy reach on flat surface. Assemble tube pieces as shown.

Parts Included:

- 1**  1 PC
- 2**  1 PC
- 3**  2 PCs
- 4**  2 PCs
- 5**  1 PC
- 6**  1 PC
- 7**  2 PCs
- 8**  1 PC
- 9**  2 PCs
- 10**  1 PC



Be sure locking buttons engage when fitting tubes together.



Attach net to goal by weaving rope through the net and around the posts. Keep tight.



Goal Net Assembly

Frame

1. Check for all pieces: 11 steel pipes, 1 large white net, 1 set of string.
2. Connect pipes #7 and #8.
3. Connect pipes #5 and #6 to the #7 pipes. This completes the bottom part of the Goal frame; now time to build up.
4. Connect pipes #3 and #4.
5. Put the now connected #3 and #4 pipes into the #5 and #6 pipes on either side of the Goal.
6. Finally, piece the #1 pipe to the #3 pipe and the #2 pipe will connect with both the #1 and #3 pieces.

Netting

1. Tuck the back of the net that says "Gladiator Lacrosse" underneath the back triangle of the Frame.
2. Lay the net out flat, stretching out to the front of the Frame.
3. String directly through the center of the back triangle of the Frame.
4. Bringing the two sides of the string together at the front of the Goal Frame, insure that both sides are even and taut.
5. Starting at the back of the Frame (from the sides of the "Gladiator Lacrosse" logo), start string the net. Go through every other square insuring that you are going around the steel pipes and keeping the string taut.

Please check out our YouTube instruction video for a detailed visual assembly:

<https://www.youtube.com/watch?v=VAxXX2gUA10>

OR use search phrase, "Gladiator Lacrosse Goal Net Assembly Video."